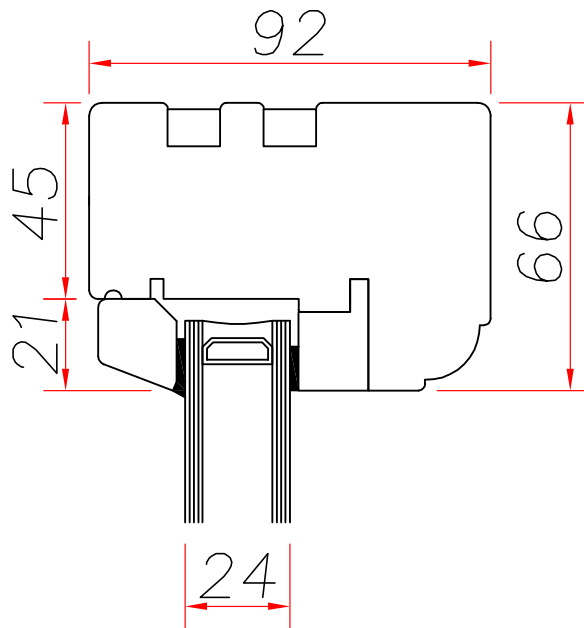
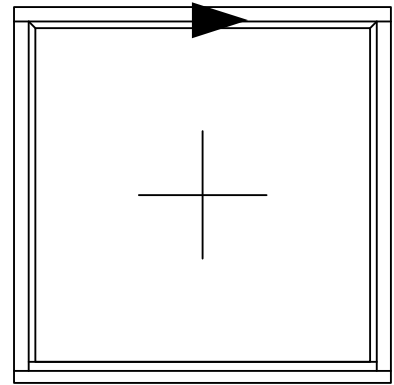




# TTD FLUSH CASEMENT / BH Standard

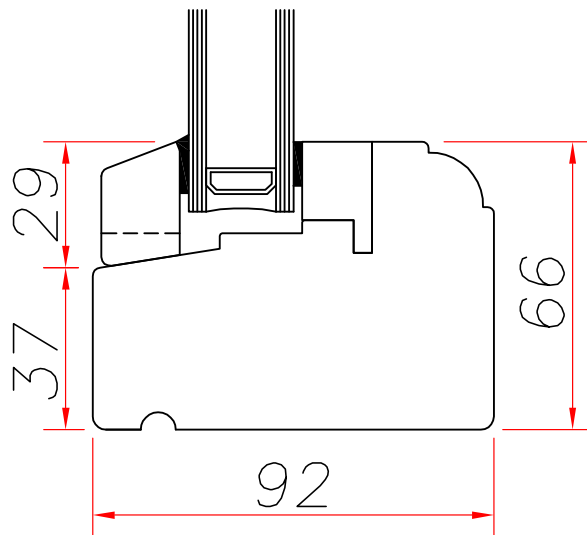
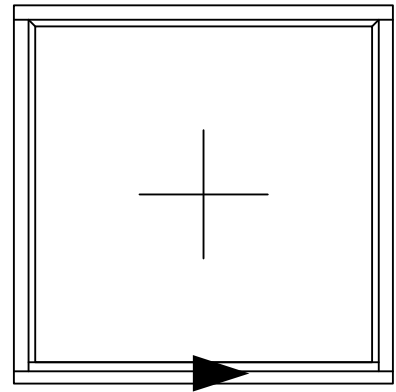
Szklenie  $U_g=1,0 \text{ W/m}^2\text{K}$  ;  $U_w=1,3 \text{ W/m}^2\text{K}$





# TTD FLUSH CASEMENT / BH Standard

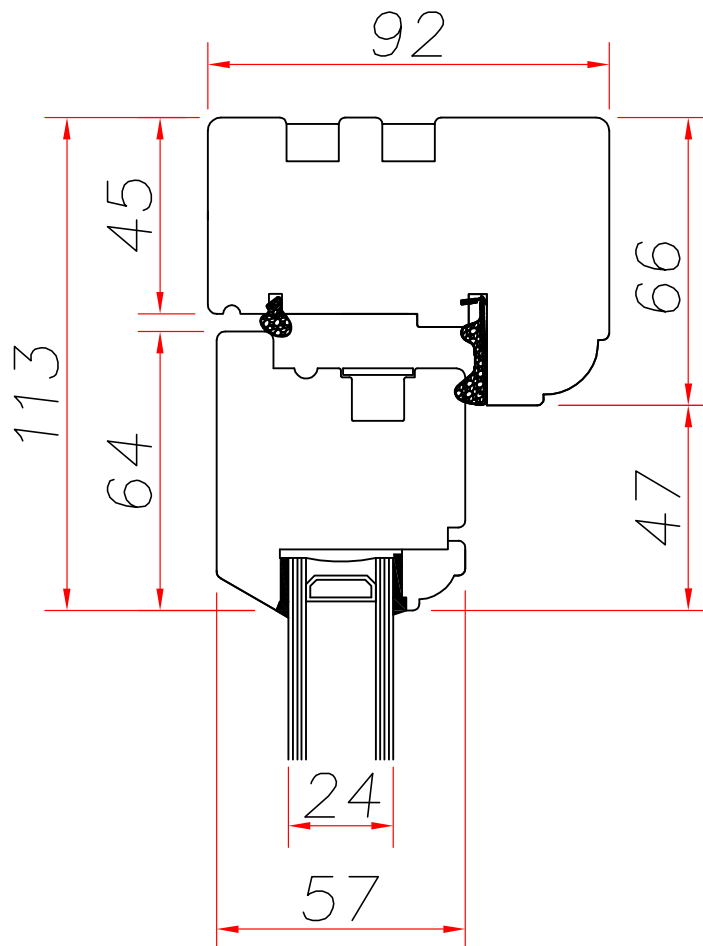
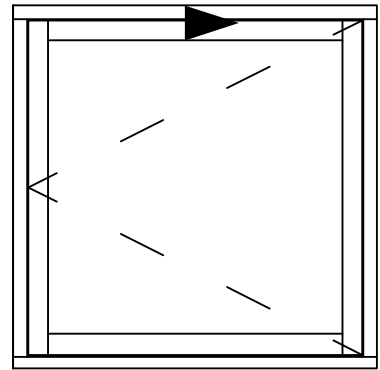
Szklenie  $U_g=1,0 \text{ W/m}^2\text{K}$  ;  $U_w=1,3 \text{ W/m}^2\text{K}$





# TTD FLUSH CASEMENT / BH Standard

Szklenie Ug=1,0 W/m<sup>2</sup>K ; Uw=1,3 W/m<sup>2</sup>K





# TTD FLUSH CASEMENT / BH Standard

Szklenie  $U_g=1,0 \text{ W/m}^2\text{K}$  ;  $U_w=1,3 \text{ W/m}^2\text{K}$

